

LOCATIONS

MT. VERNON, MO

Phone:
800-753-0050
Fax:
417-466-3964

BROOKSTON, IN

Phone:
800-255-7824
Fax:
219-279-2390

GRIMSBY

Phone:
800-811-0411
Fax:
905-945-5906

INTERNATIONAL

Phone:
1-417-466-1040
Fax:
1-417-466-1052

We're on the Web
See us at:

reycogranning.com

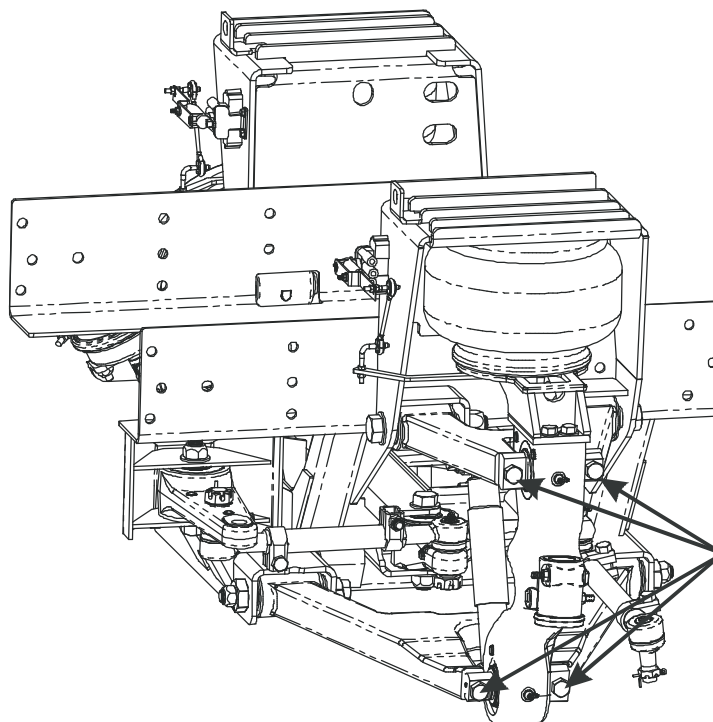
and

mudhog.com

PRODUCT BULLETIN: PB#B3006

DATE: May 9, 2003
REF: IFS1460 Suspensions
SUBJECT: Carrier Bolt Torque Revision
EFFECTIVE: Immediately

Tuthill Transport Technologies has revised the torque requirements of the IFS1460 Carrier attachment bolts (3/4"-10 Hex Head Bolt, part number 100039-P1) from 275-300 ft-lbs to **365-385 ft-lbs**.



100039-P1
Carrier attachment bolts

Figure 1. Location of 100039-P1 Carrier attachment bolts. Wheel end components removed for clarity.

For any additional information, please contact your Tuthill Transport Technologies Account Manager at 800-255-7824.