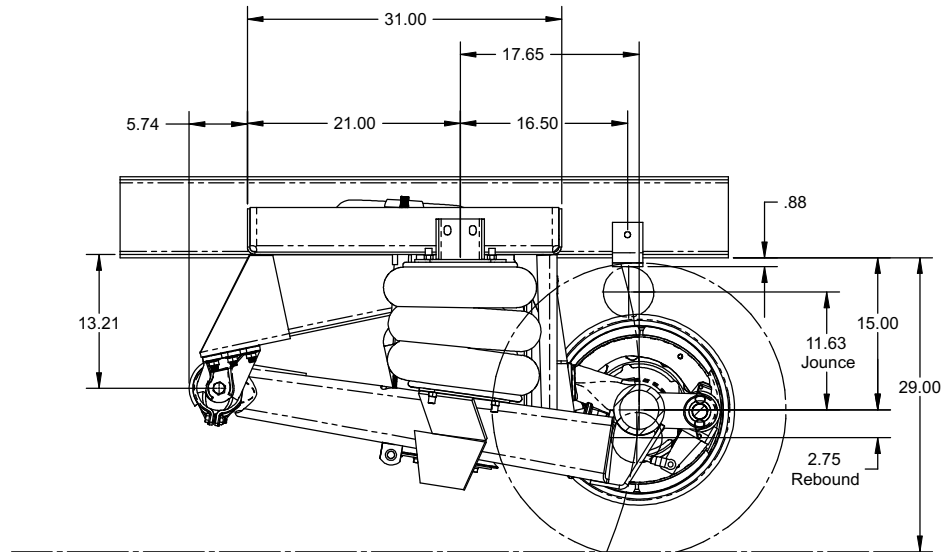


Specification Sheet T200AX

- Suspension Type:** Center pulling point, extra high lift.
- Axle Type:** Non-Steer, 5" round. Available in straight axle 71.5" or 77" track width.
- Axle Position:** Tag
- Total Axle Travel:** 14.35"
- Suspension Capacity:** 12,000; 16,000; or 19,000 lbs
- Weight:** 553 lbs installed (less axle)
- Air Controls:** Optional in-cab or all-weather external manual control
- Brakes:** 16.5" x 7" and 12.25" x 7.5" S-cam type with automatic slack adjuster
- Standard Features:**
- Ride Height: 15"
 - Rebound: 2.72"
 - Lift: 11.63"
- (Note: Rebound and Lift are based on ride height dimensions and tire static loaded radius dimensions equaling loaded ground to bottom of frame dimension)
- Wheel Mount Types:**
- Hub piloted
 - Stud piloted (ball seat)
 - Three, Five, and Six spoke



Above dimensions based on 5/16" frame thickness and 29" frame to ground



Brookston, IN USA
Mt. Vernon, MO USA
Grimsby, ON CAN

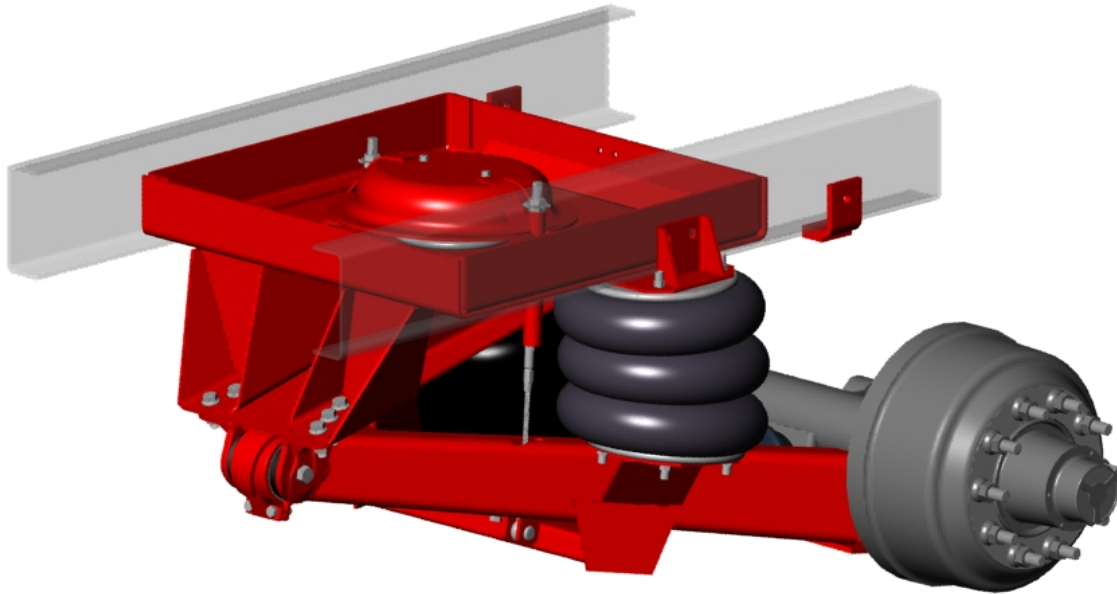
To place your next ReycoGranning® order or for more information on the specification or installation of a ReycoGranning® suspension, call the customer service number at 1-800-255-7824.

www.reycogranning.com

Tuthill Transport Technologies reserves the right to change this information without notice. Information contained herein is general in nature and not intended for specific application purposes.

T200AX

Extra-High Lift Air Ride Air Lift Suspensions



Suspension Capacity Rating

12,000; 16,000; or 19,000 lbs.

Applications

Cement Mixers
Construction Material Trucks, including:
Drywall
Concrete Block
Brick
Roofing
Lumber

Features and Benefits

- Strong, unitized frame and axle weldment minimizes moving parts.
- Air Ride/Air Lift provides extra smooth operation.
- Pulling point design absorbs twisting stress and shocks to extend truck frame life.
- Available in 15" or 20" wheel mounts.



TUTHILL
Transport Technologies

Brookston, IN USA
Mt. Vernon, MO USA
Grimsby, ON CAN

Reyco
Granning
S U S P E N S I O N S

1-800-255-7824
www.reycogranning.com