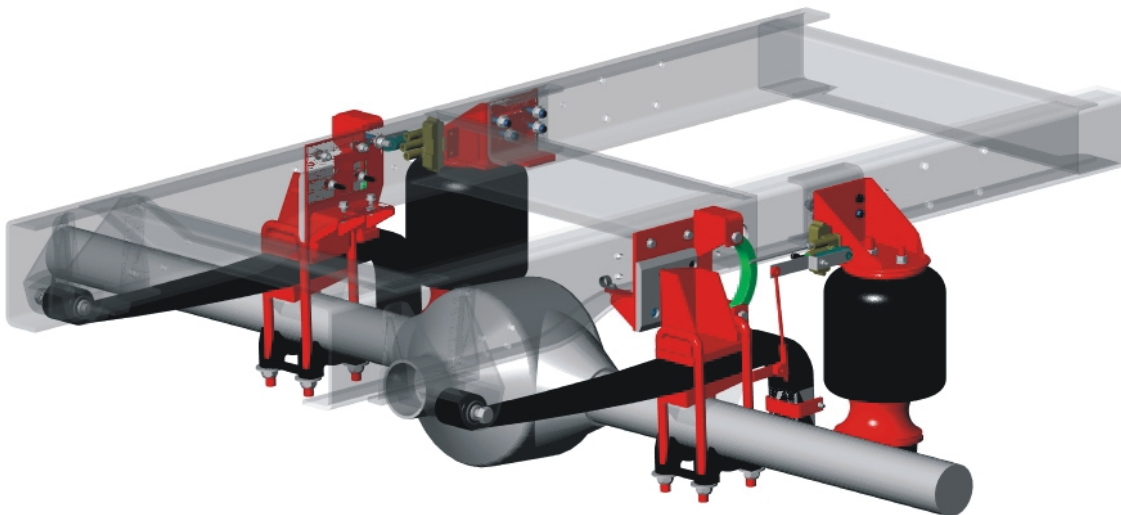


R-SERIES
AirGlide® RD11KF, RD11KDF
drive axle air ride suspension for
Ford F450 SuperDuty Cab Chassis.



Suspension Capacity Rating

11,000 lbs

Applications

Ambulances
Shuttle Buses
Trailer Pull Vehicles
Commercial Vehicles

Features and Benefits

- Improved ride over OEM leaf spring suspension
- Load leveling, front-to-rear and side-to-side.
- Rear "dump" capability.
- Improved roll stiffness.
- OEM spring hanger and frame holes utilized for minimized installation times.



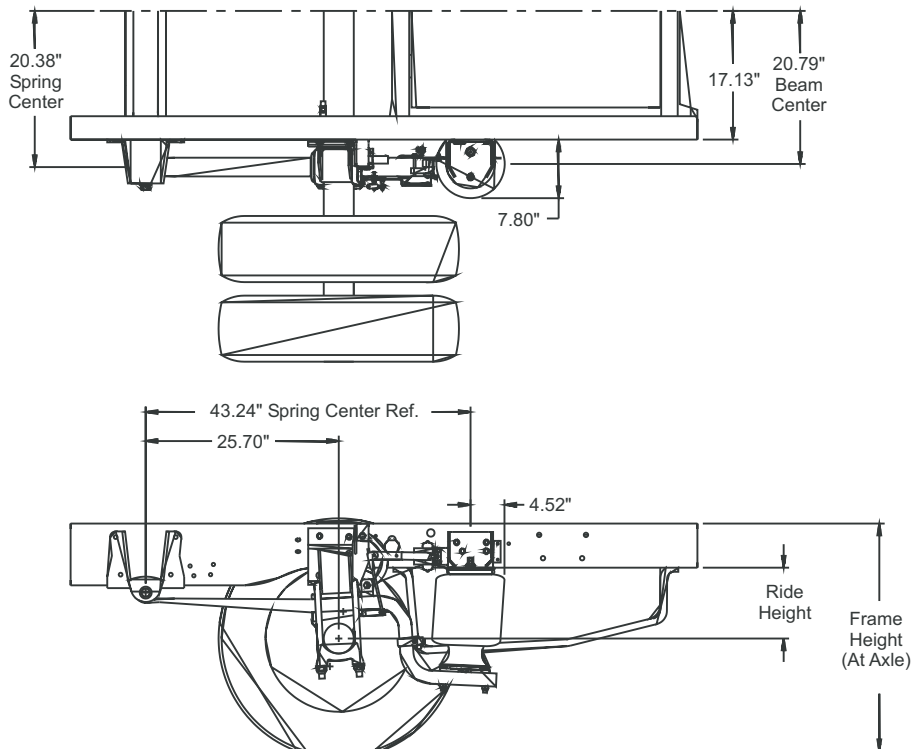
TUTHILL
Transport Technologies

Brookston, IN USA
Springfield, MO USA
Mt. Vernon, MO USA
Grimsby, ON CAN

Reyco.
Granning.
SUSPENSIONS

Specification Sheet
R-SERIES
RD11KF, RD11KDF

Ride Height:		RD11KF	RD11KDF
	Design:	9.58"	10.23"
	Full Jounce:	5.32" (4.26" Travel)	5.91" (4.32" Travel)
	Jounce Bumper Contact:	6.19" (3.39" Travel)	6.78" (3.45" Travel)
	Rebound Stop Contact:	11.55" (1.97" Travel)	11.59" (1.86" Travel)
	Full Rebound:	12.80" (3.22" Travel)	13.45" (3.02" Travel)
Suspension Capacity:		11,000 lbs	11,000 lbs
Frame Height	Ground to Top of Frame (Loaded Design, with Air Suspension)	29.80"	31.10"
	Ground to Top of Frame (Deflated, Jounce Bumper Contact)	26.41"	27.65"
Vehicle:	2003 and Later Ford F450 Super Duty w/6.0L Diesel (RD11KDF) Ford F450 SuperDuty Cab Chassis (RD11KF)		
Tires:	225/70R19.5 F		
Air Control Kits:	9932, Dual Height Control Valve with Electric Dump Valves 9930, Dual Height Control Valve (no Dump Valves)		
Options:	5703, Low Pressure Warning Kit, includes gauge and buzzer 5895, Gauge Kit 7101, Low Pressure Warning Kit, includes buzzer		



TUTHILL
Transport Technologies

Brookston, IN USA
 Springfield, MO USA
 Mt. Vernon, MO USA
 Grimsby, ON CAN

To place your next Reyco/Granning order or for more information on the specification or installation of a Reyco/Granning suspension, call the customer service number at 1-800-255-7824.

Tuthill Transport Technologies reserves the right to change this information without notice. Information contained herein is general in nature and not intended for specific application purposes.