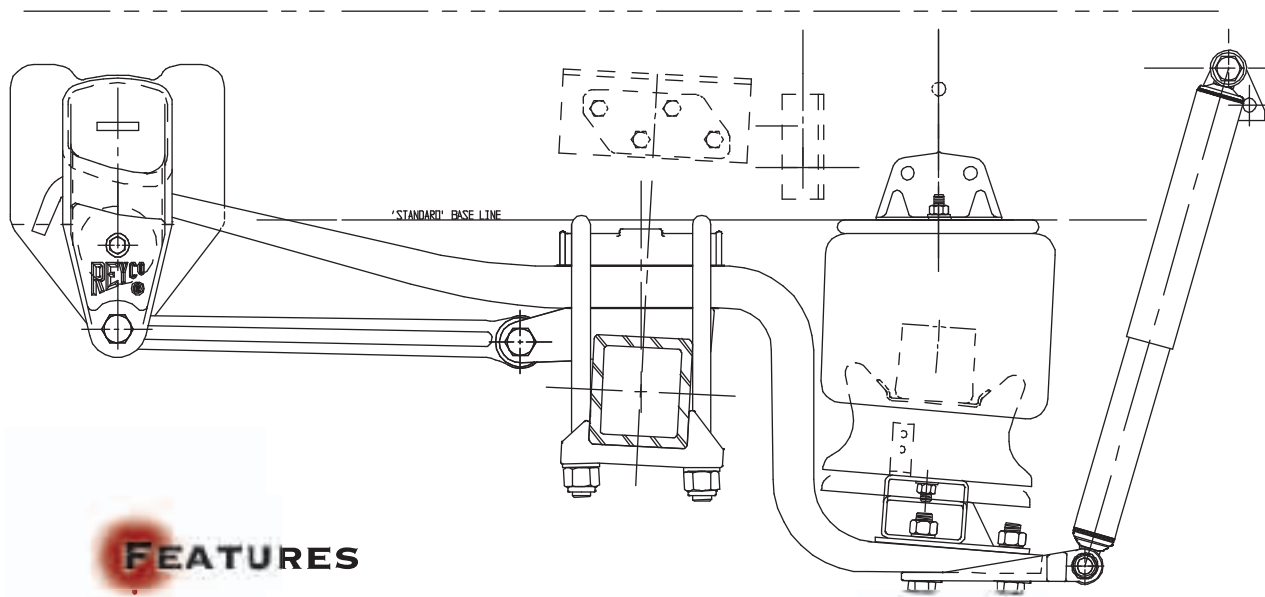


MODEL 79AR

HEAVY DUTY DRIVE AXLE AIR RIDE SUSPENSION



FEATURES

- Capacity of 17,000 lbs to 23,000 lbs GAWR
- Will fit applications up to 23,000 lbs GAWR where the ReycoGranning™ 79KB is used
- Shares many components with 79KB and other ReycoGranning Air Ride Suspensions
- Improved roll stability
- Higher resale value
- Driver comfort
- Payload protection
- Suspension Weight 447 lbs.

APPLICATIONS

- For use in all applications of class 6, 7 and 8 vehicles
- Suspension available in many forms:
 - As complete suspension for conversion/retrofit
 - As a conversion kit for existing 79KB
 - As complete suspension at factory level
- Will fit the following: Kenworth
Peterbilt
Freightliner
Western Star
Mack
Sterling

