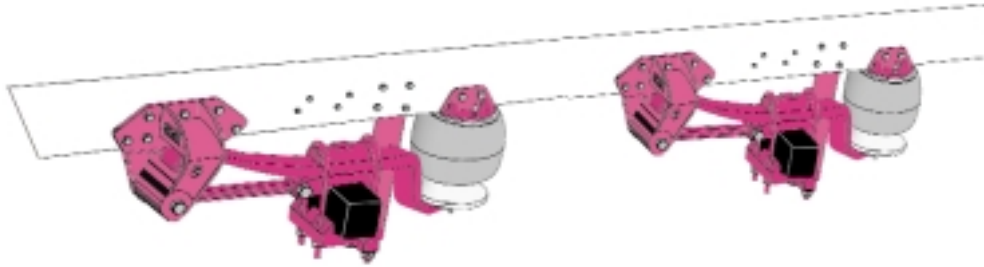
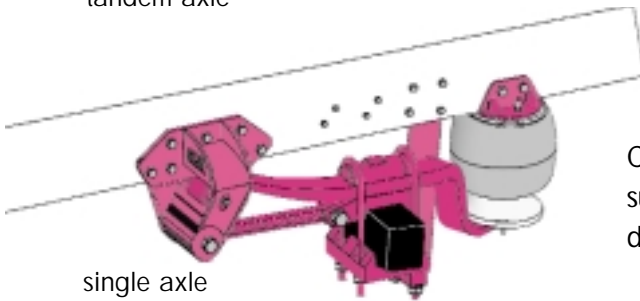


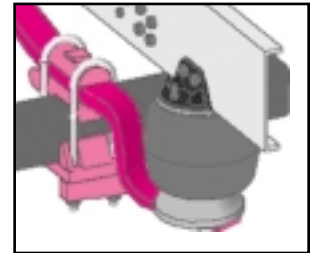
# Reyco Granning S U S P E N S I O N S



tandem axle



single axle



Curved spring beams reduce suspension parts. A lightweight system and a simple design maintains strength and ride characteristics.

## Model 240AR Drive Axle Air Suspension

### FEATURES

- Lightweight / Heavy Duty Trailing Beam Air Suspension
- 17,000 to 23,000 lb. ground load rating single axle  
34,000 to 40,000 lbs. ground load rating tandem axle
- Low air spring rate for superior ride
- Excellent roll stability
- Low profile frame brackets
- Curved spring beams eliminate airspring support structure
- Axle travel 3 1/4" up, 3 1/4" down
- Tandem axle spacing 47" to 54"
- Variety of available ride heights & pinion angles
- Can be used with Meritor, Eaton and Dana axles
- Adjustable torque & track rods locate axle and prevent tire wear due to misalignment
- Each system is covered by a full five year / 500,000-mile limited warranty

### APPLICATION

Heavy duty on-highway truck/tractor, bus & RV chassis. Excellent ride and dependability. Also P&D, City Delivery, General Commodity and Liquid Petroleum/Bulk Material applications.

## SPECIFICATIONS

|                                    |  |
|------------------------------------|--|
| Air Spring Rate( Composite Piston) | .655 lbs. per inch   |
| Axle Travel                        | 3-1/4" up, and 3-1/2" down                                   |
| Axle Housing                       | .7/16" wall (11 mm) recommended (all domestic manufacturers) |
| Shock Absorbers                    |  |
| HD                                 | Prem   |
|                                    | Bore   |
| 1 5/8"                             | 1 3/4"   |

### SINGLE AXLE

|                           |                                     |
|---------------------------|-------------------------------------|
| Capacity                  | .17,000 lbs. to 23,000 lbs.         |
| Weight                    | .366 lbs.* (8-1/2" mounting height) |
|                           | .374 lbs.* (10" mounting height)    |
| Mounting Height available | .8-1/2 to 10"                       |

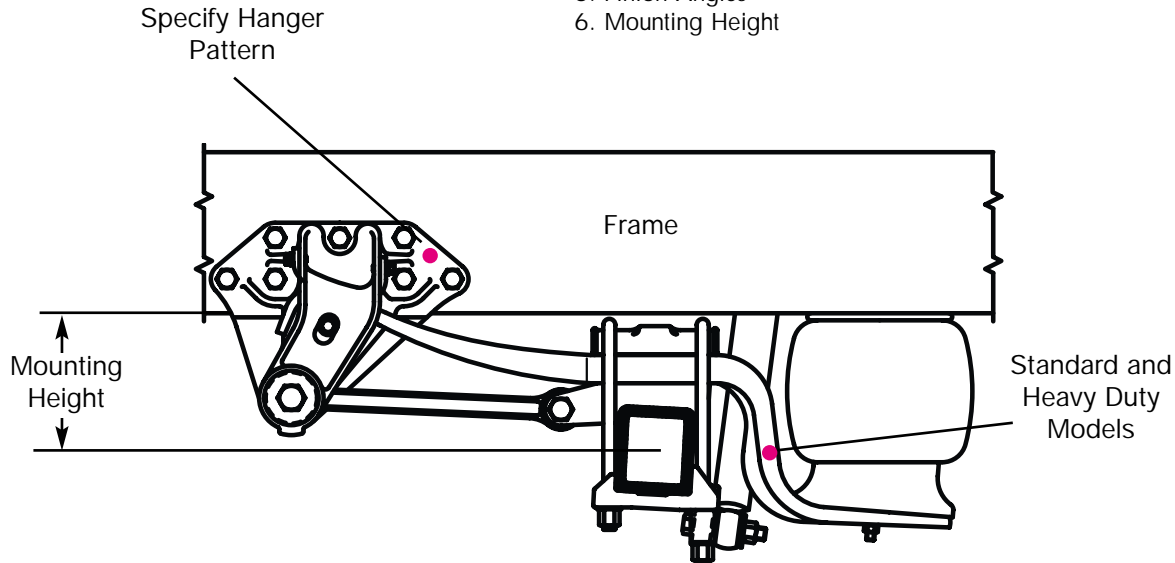
### TANDEM AXLE

|                           |                                     |
|---------------------------|-------------------------------------|
| Capacity                  | .34,000 lbs. to 40,000 lbs.         |
| Weight                    | .732 lbs.* (8-1/2" mounting height) |
|                           | .748 lbs.* (10" mounting height)    |
| Mounting Height available | .8-1/2 to 10"                       |

\*Includes Track Rods, Weight is Total Installed Weight

### INFORMATION NEEDED TO ORDER PLEASE SPECIFY

1. Single or Tandem Axle
2. Ground Load Capacity
3. Axle Spacing (if Tandem)
4. Make and Model of Axle
5. Pinion Angles
6. Mounting Height



GRIMSBY (CANADA) 1.800.811.4011 Fax: 1.905.945.5906  
 MT. VERNON (USA) 1.800.753.0050 Fax: 1.417.466.3964  
 BROOKSTON (USA) 1.800.255.7824 Fax: 1.219.279.2390

[www.reycogranning.com](http://www.reycogranning.com)

