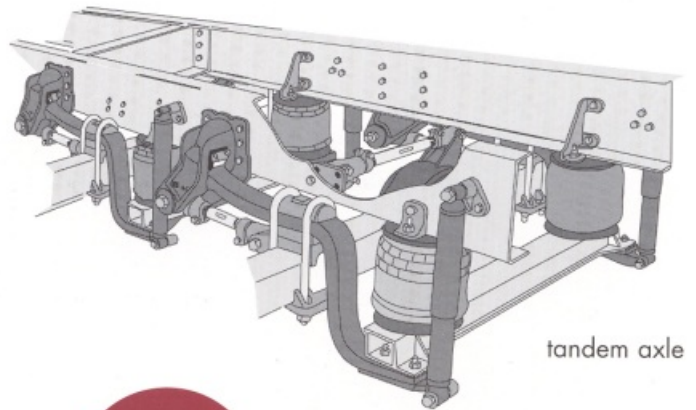
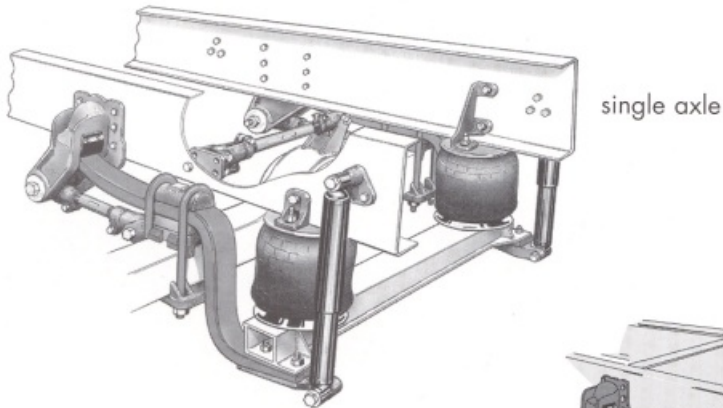


MODEL 102AR

DRIVE AXLE AIR SUSPENSION



FEATURES

- 17,000 to 26,000 lbs. load rating single axle
- 34,000 to 46,000 lbs. load rating tandem axle
- Unique air spring and spring beam combination for ultimate performance and ride quality
- Excellent roll stability
- Low maintenance
- Outboard mounted shock absorbers
- Axle vertical travel 3" up, 2 1/2" down
- Tandem axle spacing 52" to 60"
- Cast torque and track arms with large bushings absorb twists, preventing stress to the vehicle
- Close tolerance machined castings and high strength U-bolts create durable, trouble-free axle attachment
- Heavy duty high ground clearance shock absorbers available
- Each system comes with a full five-year/500,000-mile limited warranty

DURABLE DESIGN

A rugged, time-proven, durable suspension.

Reyco.
Granning.
SUSPENSIONS

APPLICATIONS

Heavy duty truck/tractor, bus and RV chassis requiring rugged dependability, excellent ride and low maintenance. Great for class six and seven commercial vehicles, and recreational vehicles. Limited off-road usage for all applications. Single/tandem applications cover class eight commercial vehicles including Line Haul, Tank Operators, Reefers, and Heavy Haul.



102AR SPECIFICATIONS

- Axle TypesAll domestic axles (7/16" wall [11mm] recommended), dead axles and some imported axles
- Axle AlignmentCast adjustable torque arms for ease of alignment
- Axle SeatsConsist of close tolerance machined castings and high strength U-bolts
- Torque ArmsCast torque arms and oversized bushings contribute to extra-long life
- Mounting HeightAvailable from 7" to 10 1/2"
- Shock AbsorbersHeavy duty and/or high ground clearance shock absorbers available

SINGLE AXLE

- Capacity17,000 lbs. to 23,000 lbs.
Optional heavy duty 20,000 lbs. to 27,000 lbs.
- *Weight438 lbs.* (8" mounting height)

TANDEM AXLE

- Capacity34,000 lbs. to 40,000 lbs.
Optional Heavy Duty - 40,000 lbs. to 46,000 lbs.
- Axle Spread52" Minimum to 60" Maximum
- *Suspension Weight876 lbs.* (8" Mounting Height)

* Includes track rods, weight is installed weight.

Your vehicle's specifications may vary the suspension's weight and ratings. See Price List TC296 for an expanded list of options.

**INFORMATION NEEDED TO ORDER
PLEASE SPECIFY**

- | | |
|-----------------------------|---------------------------|
| 1. Single or Tandem Axle | 2. Ground Load Capacity |
| 3. Axle Spacing (if Tandem) | 4. Make and Model of Axle |
| 5. Pinion Angles | 6. Mounting Height |



TUTHILL
Transport Technologies

Brookston, IN USA
Springfield, MO USA
Mt. Vernon, MO USA
Grimsby, ON CAN



1-800-753-0050 (USA)

1-800-811-4011 (CAN)

www.tuthill.com

FORM #102AR.10/99